

Specification sheet LX 1903

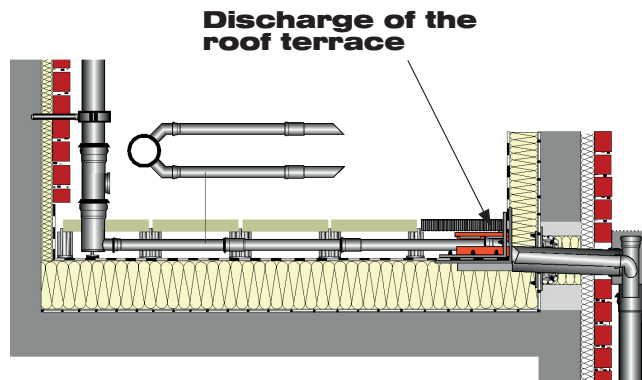
LORO-X DUOSTREAM High performacne cascade drainage for roof terrace

Emergency drainage

Gravity flow

Silent

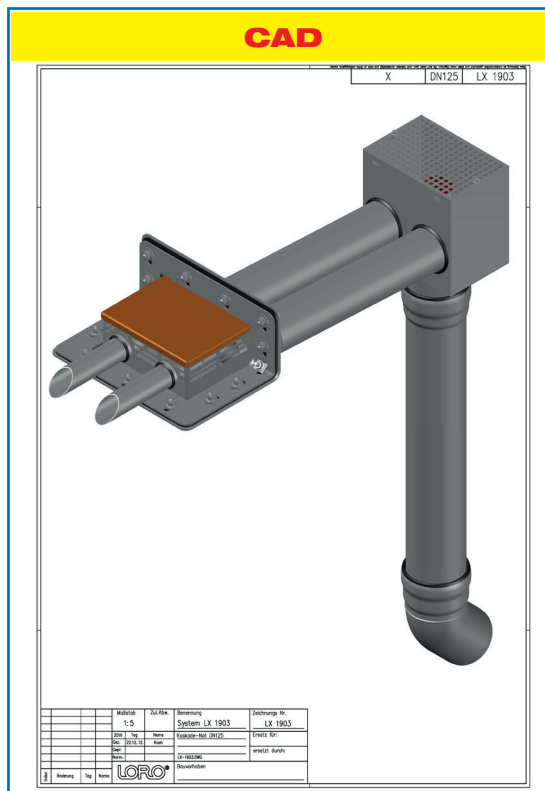
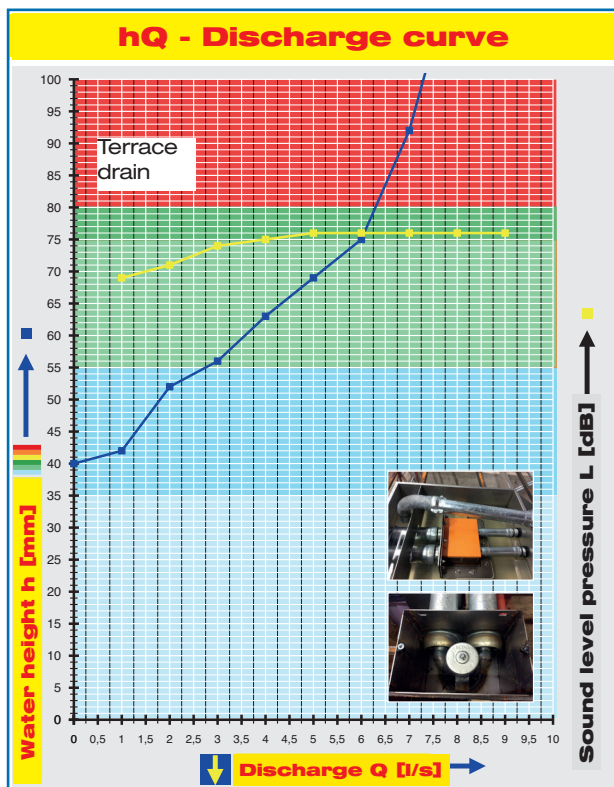
Discharge rate:	6.0 l/sec
Water height:	75 mm
Roof penetration:	-
Diameter:	DN 100
LX-Number:	LX 1903
Weir height:	35 mm
Drain:	ventilated
Downpipe	ventilated
Downpipe height:	min. 2.5 m
Drainage:	into open space
Flange:	clamping flange



Please take note of the whole "STREAM" including all levels while designing the system

LX 1903 Piece list

- 1 x Art.-No. 13458.100X High performance roof terrace
- 1 x Art.-No. 01401.100X Pipe with one socket
- 1 x Art.-No. 01401.050X Pipe with one socket
- 1 x Art.-No. 13221.DBBX Deflection
- 1 x Art.-No. 13428.DBDX Collector box
- 4 x Art.-No. 00911.050X Sealing elements
- 2 x Art.-No. 00911.100X Sealing elements
- 1 x Art.-No. 00986.000X Lubricant



System power

System shape

Water height	mm	25	30	35	40	45	50	55	60	65	70	75	80	85	90	95	100
Discharge	l/sec	-	-	-	-	1,3	2,8	2,7	3,5	4,3	5,2	6,0	6,3	6,6	6,8	7,1	7,3

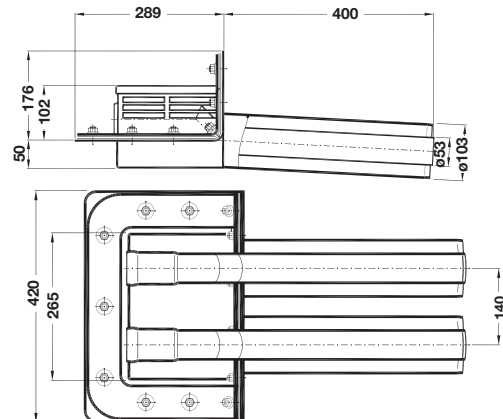
LORO-X DUOSTREAM High performance cascade drainage for roof terrace

LX1903-1X

Series 43

DUOSTREAM High performance Emergency drainage

Drainage of the roof terrace (DN 100)
Feed-through of the upper floors (DN 50)
Drain: Art.-No. 13458.100X
Weight: 14.40 kg



LORO-DUOSTREAM High performance deflection for roof terraces

from pipe-in-pipe downpipe (DN100/50)
into double pipe (DN 50/50) under the paving slab

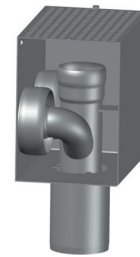
Art.-No. 13221.DBBX
Weight: 2.0 kg



LORO-X DUOSTREAM High performance collector box - roof terrace

with reducing double branches

Art.-No. 13428.DBD0X
Weight: 6.7 kg



LORO-X Pipe with one socket,

made of galvanized steel
250 mm long
Art.-No. 01401.050X
Art.-No. 01401.100X



LORO-Sealing elements

Art.-No. 00911.050X
Art.-No. 00911.100X